

Our carbide blade and holder assembly converts your Veritas® Ball-Joint Scraper into a heavy-duty scraper for the most demanding scraping jobs. The 2" wide carbide blade not only stays sharp many times longer than steel, it excels at removing paint, glue and accumulated dirt. The reversible blade is securely fastened to a formed-steel holder with two set screws. For working in tight spots, the wooden grip can be removed. The carbide blade is also slightly wider than the holder to allow scraping right into a corner.

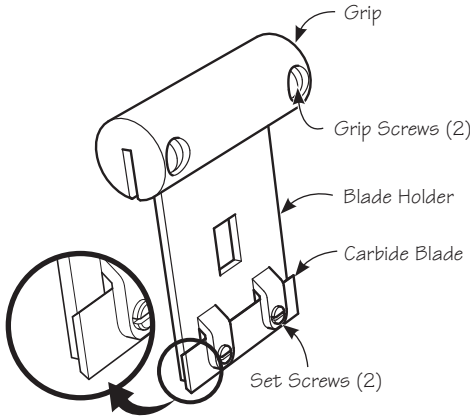


Figure 1: Carbide blade and holder assembly.

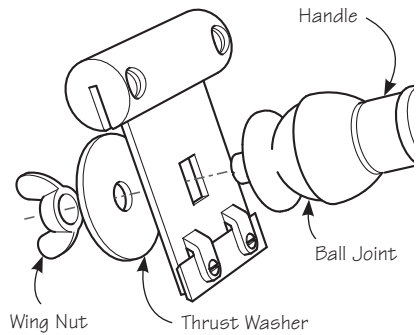


Figure 2: Installation.

Assembly

1. Remove all packaging and verify that you have all the parts shown in **Figure 1**.
2. Install the carbide blade with the bevel oriented as shown in **Figure 1**. Tighten the set screws just until the blade is no longer loose, then rotate them one additional quarter turn. **Do not** overtighten the set screws as this will bend the holder.
3. Remove the existing steel blade from the ball-joint scraper and attach the holder, ensuring the rectangular hole in the holder lines up with the shoulder on the ball-joint flange, as shown in **Figure 2**. Replace the thrust washer and re-install the wing nut. **Do not use pliers or any similar tool to tighten the wing nut!** Finger tight is more than adequate.

Carbide Blade Tips

- When scraping old finish down to bare wood, we suggest you round the corners (one edge only) of the carbide blade to help minimize gouging the surface. (We don't recommend rounding both edges since a square edge is often useful when working into a corner.) While almost any kind of abrasive wheel can be used, unless it is specifically made for carbide, it will wear quickly.
- Since the carbide blade is not resharpenable, you can save unnecessary wear and tear by switching back to the HCS blade that came with the Veritas ball-joint scraper. The HCS blade is easily resharpened and will usually provide the best results on bare wood, or when removing varnish and light finishes such as oil or shellac, or minor discoloration from water damage.
- When the carbide blade becomes too dull for paint removal, you can use it for rough scraping jobs such as removing dried glue squeeze-out prior to planing, loose rust on ironwork, or adherent grit on masonry formwork.

Accessory

05K21.06 Replacement Carbide Blade